



InviziQ™ - RetroKit

InviziQ offers the market's most advanced drop-in replacement that is compatible with existing E/One* 2000 and 200 series Pressure Sewer Systems (PSS).

A Revolutionary Dry Well Design

InviziQ PSS offers a Dry Well design, the first and only PSS alternative delivering clean access to the system motor and other working parts of the unit. Mounting flange gasket and millipore plug with a vent adapter are included to completely seal the dry well.

B MonoSense Solid-State Level Sensor

Leading edge, solid-state level sensor provides more reliability than traditional, mechanical float alternatives, which are subject to failure due to exposure to raw sewage. MonoSense has no moving parts and is designed to be compatible with existing E/One 2000 and 200 series control panels.

C Plug and Play Installation

Piping and control harnesses are direct connect to existing E/One 2000 and 200 series units. No hard wiring is required.

D Robust Pumping Unit, Reliable Performance

Robust grinder pump offers zero planned maintenance. The pump and TEFC motor assembly pulls straight up out of the mounting plate - no fasteners are required. The mounting plate bolts directly in place of E/One 2000 and 200 series cores.

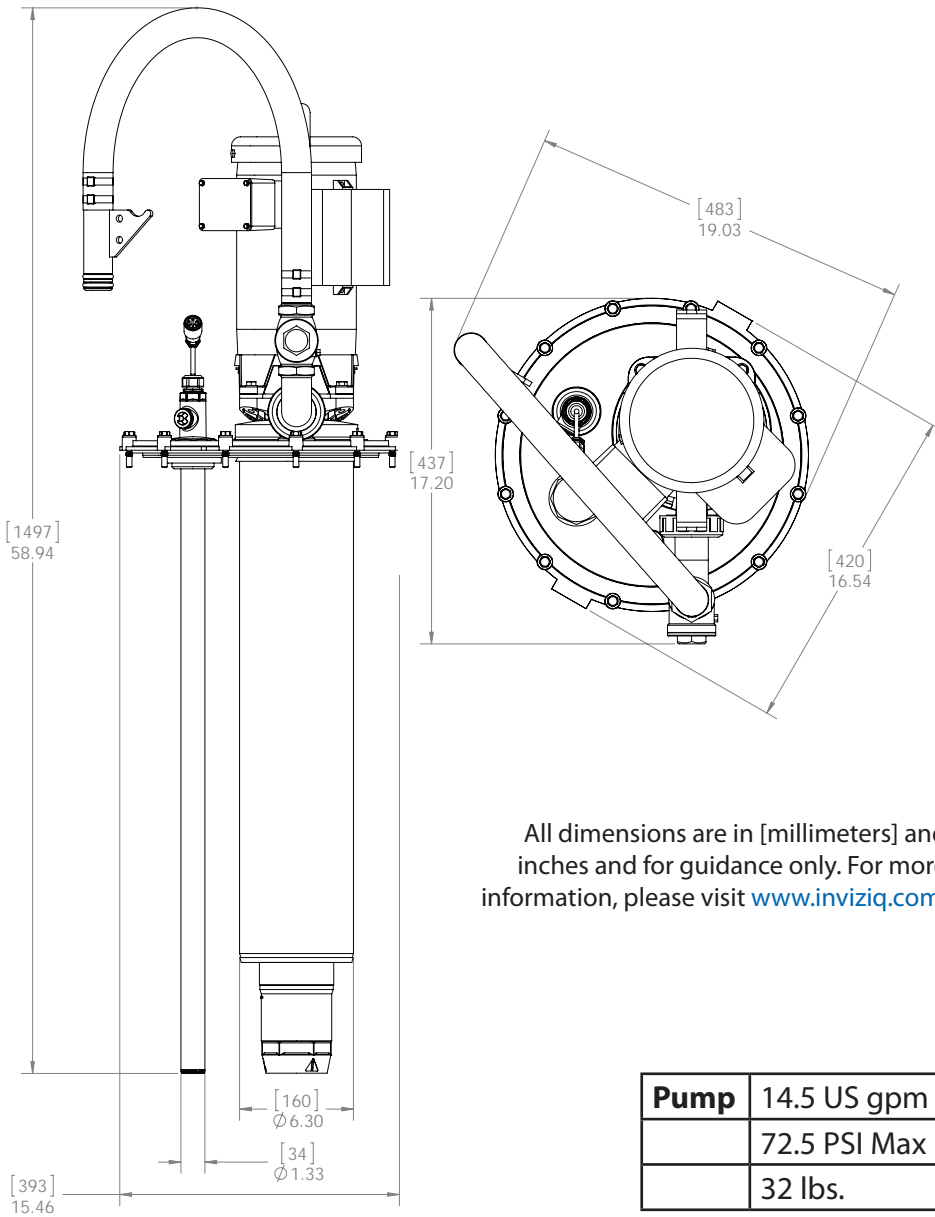
Optional Upgrade

Control package and discharge latch.

*E/One is a trademark of Environment One Corporation. NOV Mono is not associated or affiliated with Environment One Corporation or their affiliates and Environment One Corporation does not endorse any of NOV Mono's products. The InviziQ™ RetroKit is solely manufactured by NOV Mono.

Smart Under Pressure





All dimensions are in [millimeters] and inches and for guidance only. For more information, please visit www.inviziq.com.

Pump	14.5 US gpm
	72.5 PSI Max
	32 lbs.

Motor	1.5 HP Max, 1725 rpm
	115VAC / 1PH / 60Hz, FLA 12.4A 240VAC / 1PH / 60Hz, FLA 6.2A
	46 lbs.

Americas

Houston, Texas, USA
+1 281 854 0300
moyno@nov.com

Springfield, Ohio, USA
+1 937 327 3111
moyno@nov.com

Europe

Audenshaw, Manchester, England
+44 (0)161 339 9000
info-mono@nov.com

Rebeville, France
+33 (0)3 29 94 26 88
monofrance@nov.com

Australia

Carrum Downs, Victoria, Australia
1800 333 138
ozsales@nov.com

Auckland, New Zealand
+64 (0)9 829 0333
info@mono-pumps.co.nz

Asia

Jiading District, Shanghai, P.R. China
+86 (0)21 3990 4588
monoshanghai@nov.com

